



Basic equipment

Maats roller cradles are used in line travel operations. The urethane rollers evenly distribute the pressure on the pipe, avoiding the risk of "egging". The use of urethane rollers also eliminates the risk of damage to the pipe (coating) that can be caused during the use of regular steel wheel cradles. The Maats roller cradles provide the comfort of smooth operation. The urethane rollers ride easily over weld seams and do not hang up. Disassembling the roller cradles is easy and the volume can be reduced to a convenient size for storage and transport. The Maats roller cradles comply with all applicable standards and are supplied with CE certification.

Sizes / capacities

Type	Minimum outside pipe diameter Inch / mm	Maximum outside pipe diameter Inch / mm	Maximum lifting capacity lbs / tons
RC 12-24	12.598 / 320	24.409 / 620	55,116 / 25
RC 24-36	23.819 / 605	36.417 / 925	88,185 / 40
RC 36-48	35.827 / 910	48.622 / 1235	99,208 / 45
RC 48-60	47.835 / 1215	61.024 / 1550	121,254 / 48
RC 56-68	59.843 / 1520	68.898 / 1750	121,254 / 48

Frame

Material	Steel
Coating	2-part epoxy primer 2-part PU top coat
Colour	Blue RAL 5011
Strings	2
Tested	In accordance with the EKH Code of practice
Wire rope spreaders	4

Rollers

Rollers	28	for RC 12-24
	24	for RC 24-36
	32	for RC 36-48
	36	for RC 48-60
	40	for RC 56-68
Center	Welded steel (RC 12-24) or cast iron (others)	
Bearings	Ball	
Covering	PU Vulkollan® *	
Shore hardness A (DIN 53505)	92	
Compression set (DIN 53517)	12% (70 hours at 23°C) 20% (24 hours at 70°C)	

* Rollers are VULKOLLAN® (92 shore A) heavy duty rollers with double ball bearings. The elastic covering on wheels subjected to extreme stresses must have very high mechanical and dynamic properties indeed. If, for example, steering movements are to be performed while the vehicle is stationary, high-tenacity materials will be needed that do not show any permanent deformation. High surface pressures compound the problems for the wheel cover. Vulkollan® wheel coverings are ideal under such circumstances because, on the one hand, they have high mechanical strength and, on the other, outstandingly low abrasion values and extremely low permanent deformation – all properties which have opened the door for Vulkollan® to the heavy-duty wheel market.

High dynamic loads – whether caused by high deformation at low speeds or by low deformation at high speeds – lead to a build-up of heat in the elastomer covering, as a result of which the load-bearing ability is impaired. Through the special damping characteristics of Vulkollan® elastomers, the heat build-up is kept low. Because the temperature also has little effect on the mechanical properties, this results in outstanding dynamic load-bearing ability.

Long standing-still times can lead to a flattening-out effect that significantly impairs the rolling behavior of the solid tires. Vulkollan® wheel coverings have an extremely low permanent deformation, which means that Vulkollan® wheels function perfectly even after prolonged periods without movement.

The excellent dynamic load-bearing ability and superior property profile mean that the Vulkollan® wheel coverings offer outstanding performance.

Wire rope

Number of strands	6
Number of wires	36
Core	Steel
Surface finishing	Galvanized

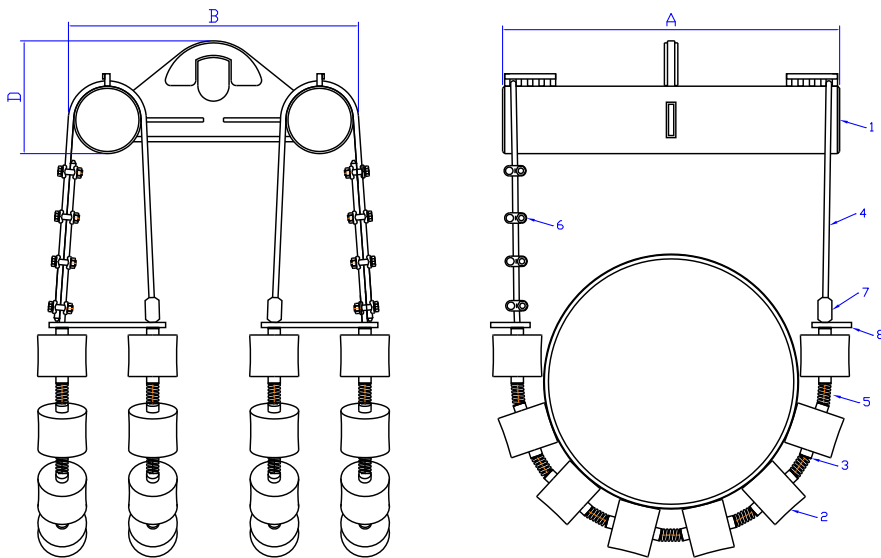
Wire rope clamps

Saddle	Forged steel
Bolts	Integral part of the saddle
Nuts	Standard heavy hexagonal
Surface finishing	Galvanized
Minimum requirements	ASME B30.26

Springs

Springs	Compression type
Pitch	Constant
Ends	Closed and ground
Standard	DIN EN 10270 SH (C DIN 17223/1 - 1.1200)

Dimensions and weights



Parts

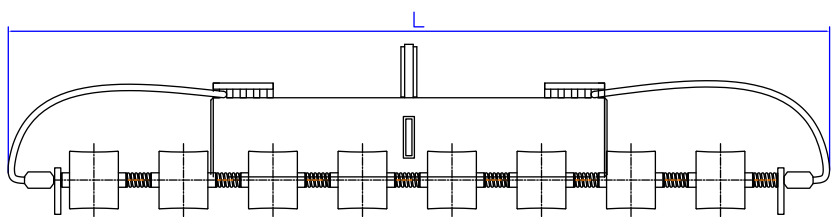
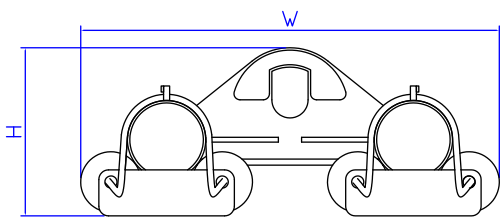
1	Frame	5	Spring
2	Roller	6	Wire rope clamp
3	Washer DIN 125A	7	Clamp
4	Wire rope	8	Wire rope spreader

Dimensions

Type	Frame length (A) Inch / mm	Frame width (B) Inch / mm	Frame height (D) Inch / mm
RC 12-24	35.630 / 905	42.126 / 1.070	20.866 / 530
RC 24-36	50.000 / 1.270	47.835 / 1.215	18.898 / 480
RC 36-48	50.000 / 1.270	52.756 / 1.340	21.260 / 540
RC 48-60	74.960 / 1.904	53.937 / 1.370	21.496 / 546
RC 56-68	83.228 / 2.114	53.937 / 1.370	22.441 / 570

Weight

Weight lb / kg
1,874 / 375
3,086 / 1.400
4,189 / 1.900
4,630 / 2.100
5,071 / 2.300



Transport dimensions

Type	Length (L) Inch / mm	Width (W) Inch / mm	Height (H) Inch / mm
RC 12-24	70.866 / 1.800	47.244 / 1.200	25.591 / 650
RC 24-36	94.488 / 2.400	62.992 / 1.600	31.496 / 800
RC 36-48	131.890 / 3.350	66.929 / 1.700	27.559 / 700
RC 48-60	147.638 / 3.750	68.110 / 1.730	31.496 / 800
RC 56-68	161.417 / 4.100	68.110 / 1.730	33.465 / 850

Equipment

Frame

High strength steel frame	●
2 layer epoxy / PU coating	●
Special coatings (sea water resistant etc.)	+
Colour Blue RAL 5011 high gloss	●
Special (company) colours	+

Wire rope

Construction 6x36WS+Stc	●
Surface galvanized	●
Length to fit max. pipe size	●
Special (longer) lengths	+

Documentation

Certificate for frame	●
Certificate of wire ropes	●
CE certificate	●
Instruction manual	●
Safety instructions	●

Rollers

Dual ball bearings	●
Covering PU Vulkollan®	●
Special rollers	+

● = Standard, + = Option

Subject to change

Options and / or special attachments, supplied by vendors other than Maats, are only to be installed with the knowledge and approval of Maats to retain warranty.

Documentation Technical RC English Rev. 2